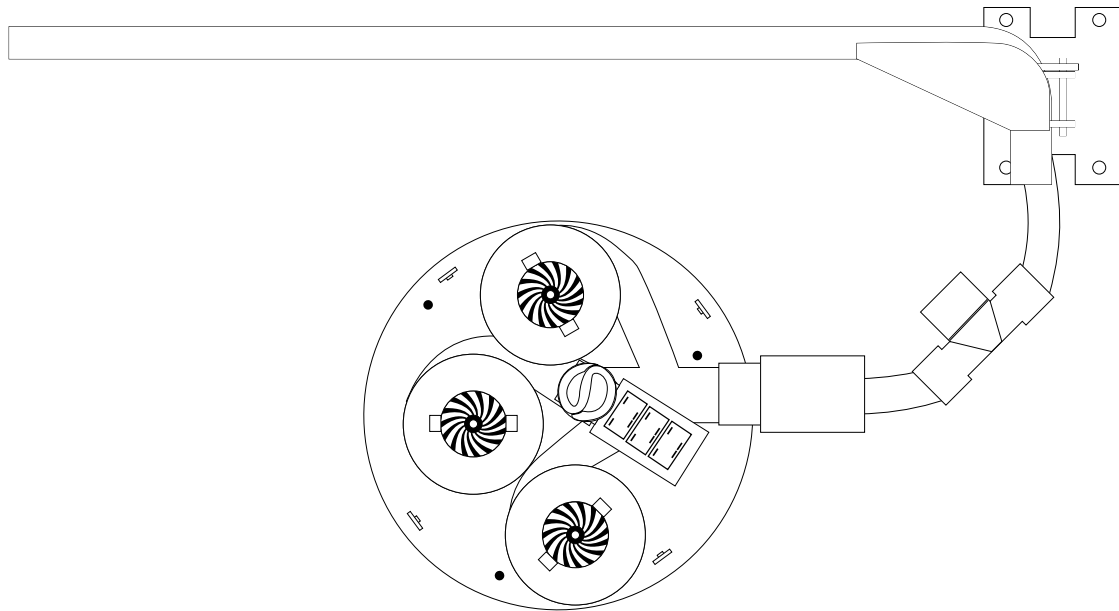


In-Bay Wall Air Shammee

220 volt Touchless Spotfree Drying System

Installation Manual



(For Model Ashwall Series II Wall Mount Dryer Unit)

30 Victor Parkway
Crystal Lake, IL 60014
Phone: 815-276-7288
Fax: 847-608-8133



SAFETY FIRST

Always Observe all safety guidelines provided by manufacturer when installing or servicing vacuum or Air Shammee unit.

In-Bay Wall Air Shamree

220 volt Touchless Spotfree Drying System

WARNING: read entire installation manual before attempting to install unit. Failure to read and understand installation process can lead to damage to Air Shamree unit, vacuum unit and/or serious injury.

PRIOR TO INSTALLATION:

Before attempting Air Shamree installation please check the following requirements:

ELECTRICAL REQUIREMENTS

1. 220v single phase service to Air Shamree.
2. 1 25 amp circuit breaker at electrical distribution box.
3. 1 drop line rated to carry 25 amp 220v service.
4. 24-volt signal from the selector switch.



SAFETY FIRST

Always Observe all safety guidelines provided by manufacturer when installing or servicing vacuum or Air Shamree unit.

In-Bay Wall Air Shammee

220 volt Touchless Spotfree Drying System

INSTALLATION OF THE HOSE BOOM:

1. Disconnect all electrical service to the bay. (You will be drilling into the wall and must avoid drilling through any conduit.)
2. Remove the boom pin and separate the boom from the mounting plate.
3. Hold the boom in desired location on the wall. Check for obstructions such as lights and other booms.

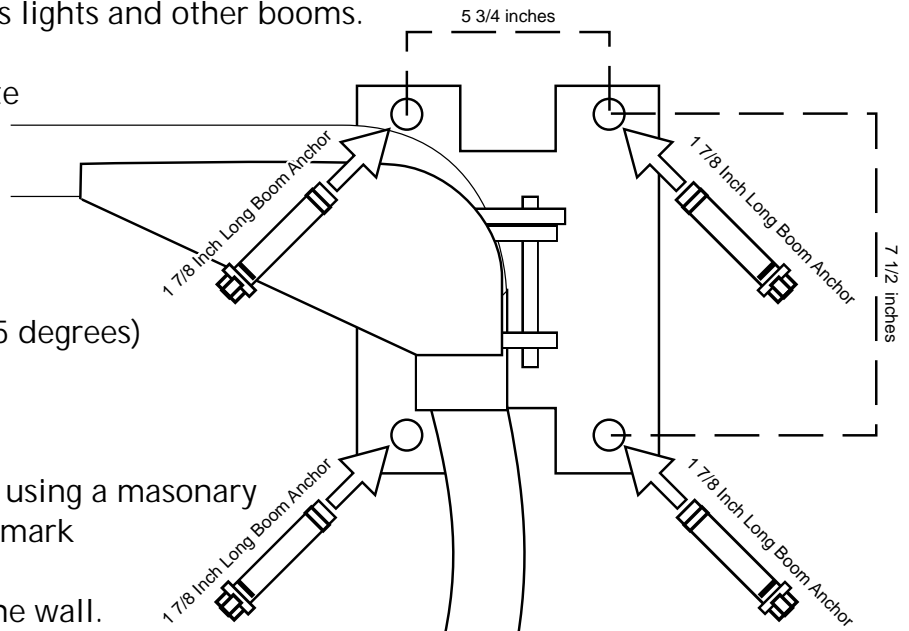
4. Tilt the boom base plate either direction so that gravity will pull the boom back to desired position when the Air Shammee is not in use (approximately 10 to 15 degrees)

5. Mark the holes

6. Drill $\frac{3}{8}$ diameter hole using a masonry bit in the center of the mark

7. Hold the boom up to the wall. Insert the short anchors through the boom and into the drilled holes. Tap the anchors in with a hammer if necessary.

8. For attic installation, the boom intake center points toward the ceiling.
i.e. It is mounted upside-down



SAFETY FIRST

Always Observe all safety guidelines provided by manufacturer when installing or servicing vacuum or Air Shammee unit.

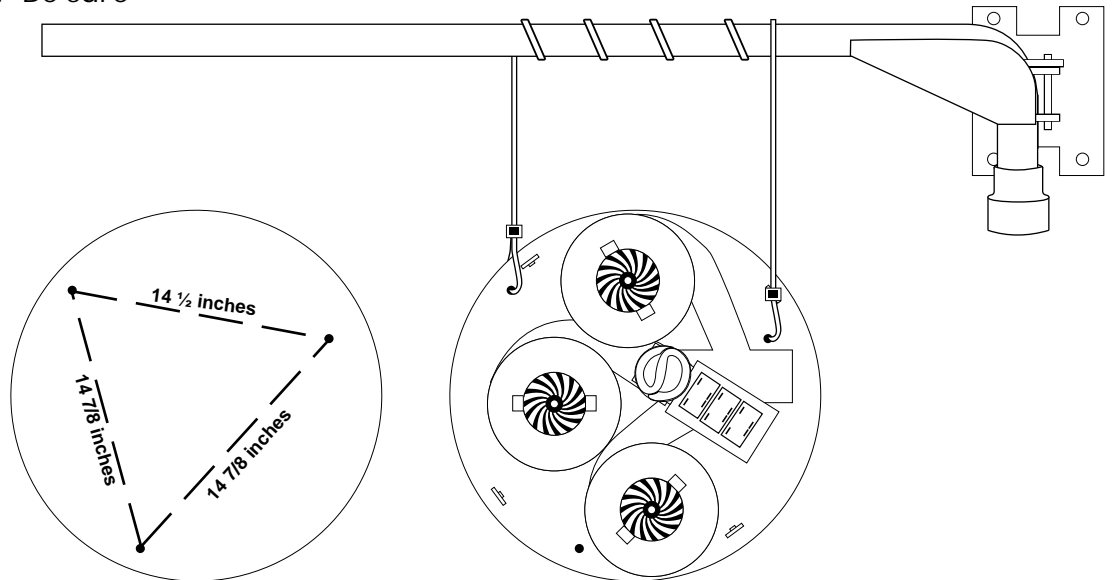
In-Bay Wall Air Shammees

220 volt Touchless Spotfree Drying System

AIR SHAMMEE DRYER SYSTEM INSTALLATION

WARNING: never attempt installation or maintenance of Air Shammees unit without disconnecting electrical service. Failure to disconnect electrical service can result in property damage, serious injury or death by electrocution.

1. Position the Air Shammees motor and mounting plate against the wall with the exhaust pointed toward the boom intake. Allow about 2 ft distance between dome and boom intake for the relief valve and connector hose. The connector hose can be cut to size. The Air Shammees can be mounted with the exhaust facing any direction, upside down, or at any angle.
2. Hang the Air Shammees from the boom, using a bungee cord or other strap with hooks to allow for easier installation. Mark the three holes in the Air Shammees mounting plate. Be sure to allow for clearance of the boom, and point the Air Shammees exhaust towards the boom intake.



3. Drill holes to 3/8 diameter size to allow 6 inch hex nut anchor to be snug inside of drilled hole.
4. Push hex nut anchor through the Air Shammees mounting hole, then spacer, and into the wall. Tap hex nut anchor in with a hammer if needed. Tighten hex nut... be sure not to over tighten



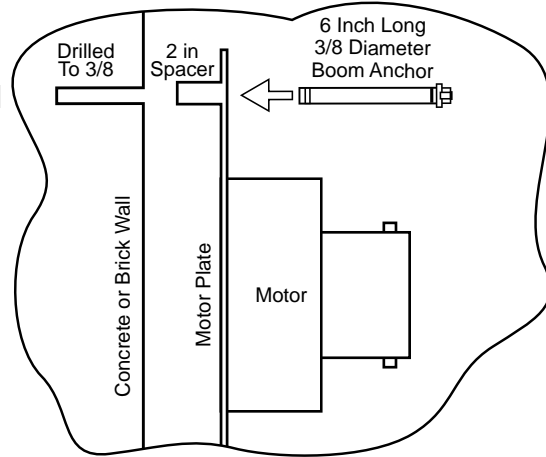
SAFETY FIRST

Always Observe all safety guidelines provided by manufacturer when installing or servicing vacuum or Air Shammees unit.

In-Bay Wall Air Shammee

220 volt Touchless Spotfree Drying System

3. Drill holes to 3/8 diameter size to allow 6 inch hex nut anchor to be snug inside of drilled hole.
4. Push hex nut anchor through the Air Shammee mounting hole, then spacer, and into the wall. Tap hex nut anchor in with a hammer if needed. Tighten hex nut... be sure not to over tighten



AIR SHAMMEE HOSE INSTALLATION

1. Be sure light bulb and dome are installed
2. Insert relief valve into rubber coupling protruding through the Air Shammee dome and tighten the hose clamp. (please note that the relief valve can be placed anywhere in the plumbing system, but closer to the Air Shammee exhaust is preferred)
3. If necessary cut the 3ft connector hose to size and install it between the relief valve and boom intake. Use the extra hose clamp provided to install the connector hose to the boom intake.
4. Attach 13 ft hose to the boom exhaust using extra clamp provided.
5. Cut the 13ft hose to desired length to allow access to all ports of the vehicle in the bay.
6. Attach the nozzle
 - a) spread a small amount of glue in the threads of the cuff attached to the nozzle. (this will prevent the hose from "backing out once installed") use any type all weather, silicon, or marine glue.
 - b) screw hose into threads counter clockwise. Be sure to gently squeeze the cuff so the swivel nut inside the cuff does not move as you screw in the hose.



SAFETY FIRST

Always Observe all safety guidelines provided by manufacturer when installing or servicing vacuum or Air Shammee unit.

In-Bay Wall Air Shammee

220 volt Touchless Spotfree Drying System

WALL AIR SHAMMEE UNIT ELECTRICAL INSTALLATION

IMPORTANT: always observe all national and local electrical codes when installing this unit.

1. Run the brown wires labeled 1, 2 and 3 together. Run the blue wires labeled 1, 2 and 3 together down to the 1 25 amp breaker. Include a green wire for ground to the breaker box. The red and green wires are signal wires that can be connected to the 24 volt selector switch.
2. Wires for the electric meter are included if the hour counter was ordered with the air shammee
3. Check all wires for loose connections
4. The Air Shammee unit is now wired for service. Turn on main circuit breaker to the **unit, and insert coins to start unit.**

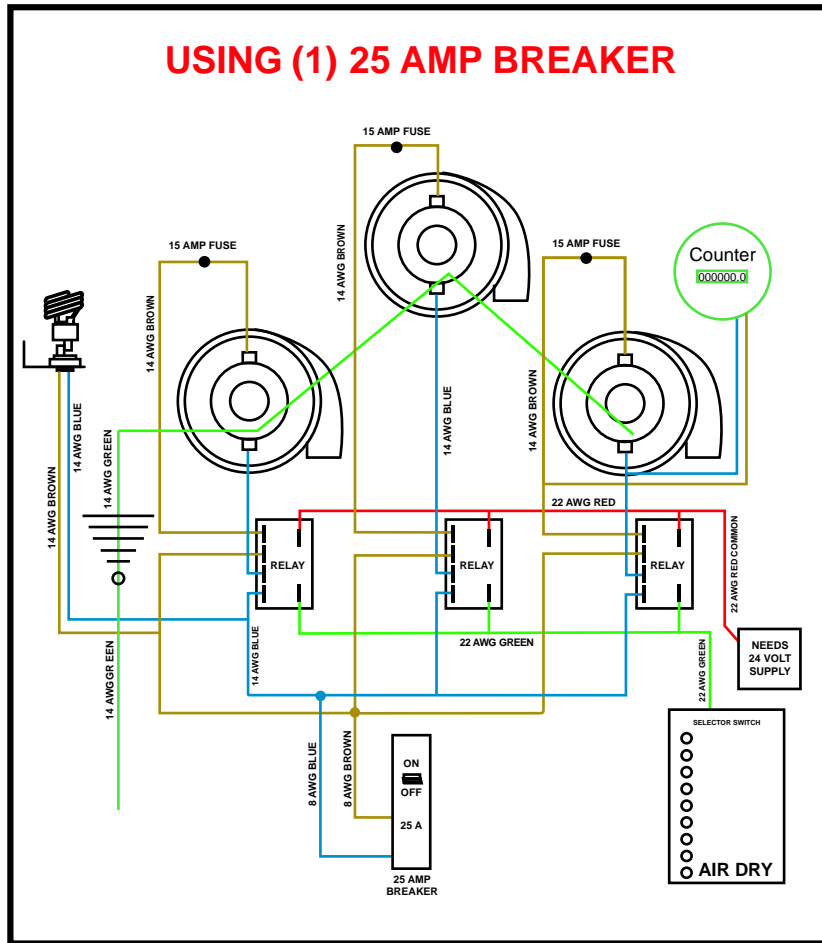


SAFETY FIRST

Always Observe all safety guidelines provided by manufacturer when installing or servicing vacuum or Air Shammee unit.

In-Bay Wall Air Shammee

220 volt Touchless Spotfree Drying System



SAFETY FIRST

Always Observe all safety guidelines provided by manufacturer when installing or servicing vacuum or Air Shammee unit.